

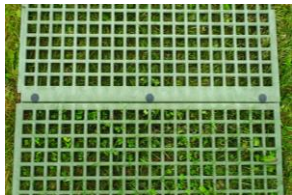


PRESTO GEOSYSTEMS

GEORUNNER®

SURFACE PROTECTION SYSTEM

SPECIFICATION



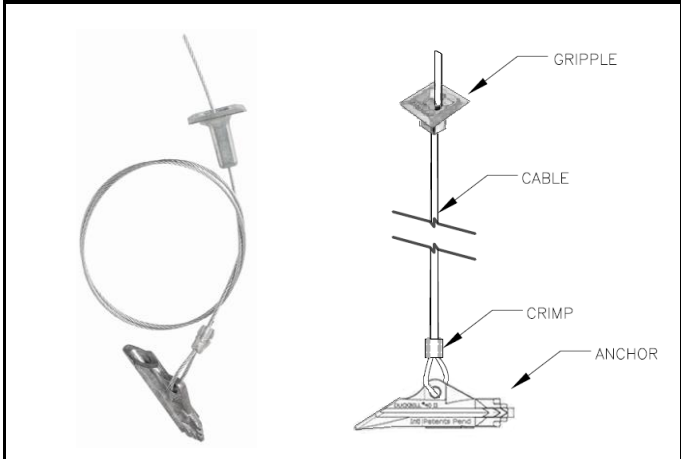
Rivets: End-to-End Connection



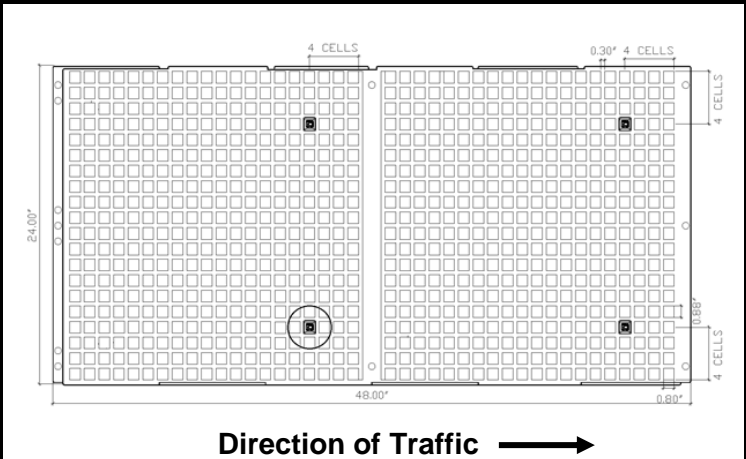
Side Clips: Side-to-Side Connection

GEORUNNER® Specification	
Material	Polymer
Color	Green
UV Stability	Hindered Amine Light Stabilizer
Nominal Dimensions	2 ft x 4 ft x 0.5 in
Nominal Area	8 ft ²
Open Area	55%
Mesh Opening	~ .84 in x .84 in
Mass/Unit Area	1 lb/ft ²
Weight	8 lbs.
Velocity	Improvement factors* Velocity, fps 2.6 Shear Stress, psf 6.1
Tensile Strength	3,000 lbs min.
* GeoRunner installed on top of Turf Reinforcement Mat (TRM).	
GEORUNNER® Components	
Rivets (End to End Panel Connection)	Nylon X-Mas tree style 0.312 in thick x 1.163 in long
Side Clips	22 Ga. Heat-treated Steel with Zinc Clear Chromate Plate
High-Strength Anchors	Rated @ 300 lbs.

GEORUNNER® Anchor System



GEORUNNER® Anchor System
Includes industry components (Duckbill®, Gripple®)



Single GEORUNNER® Unit with Anchor Locations